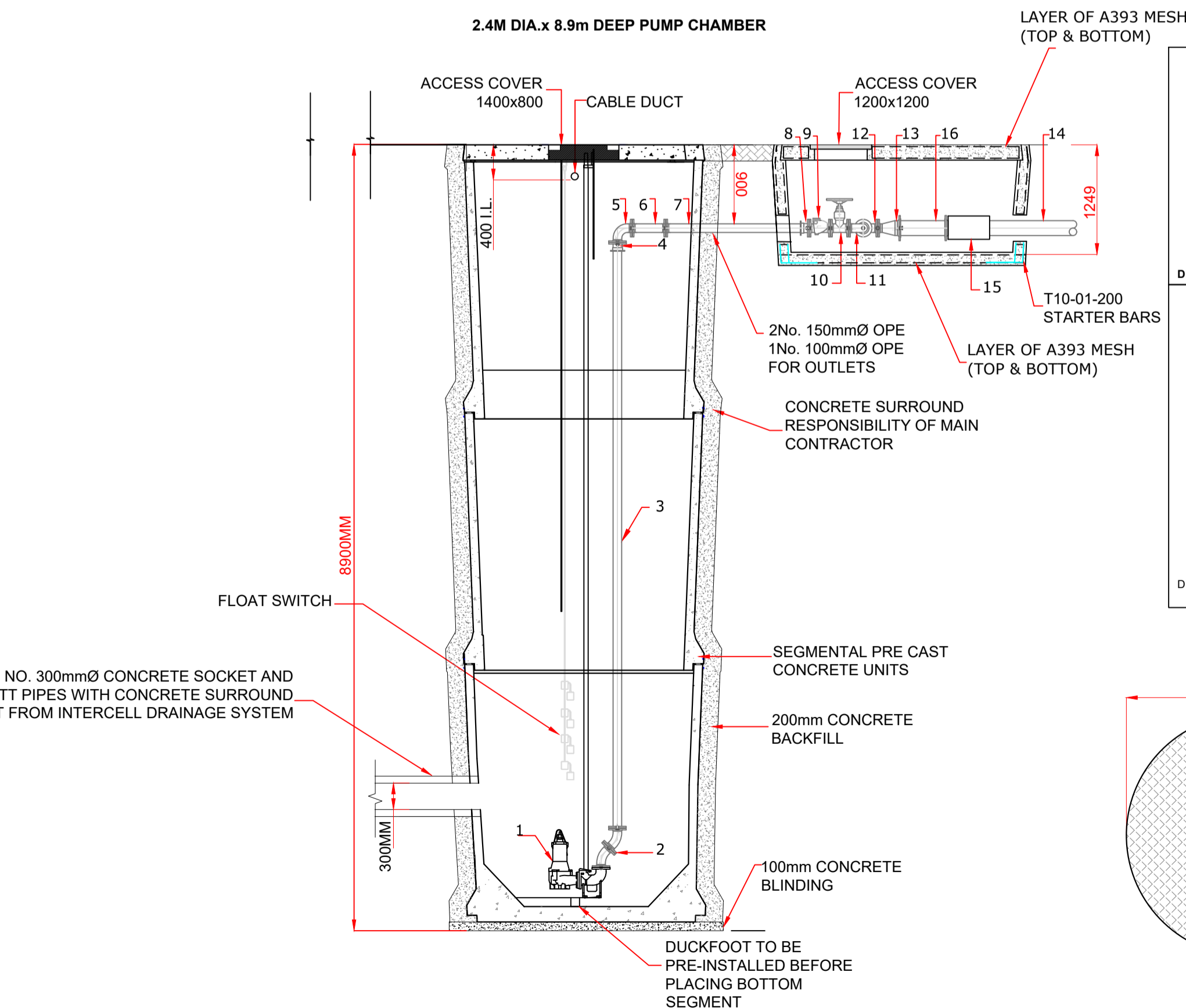
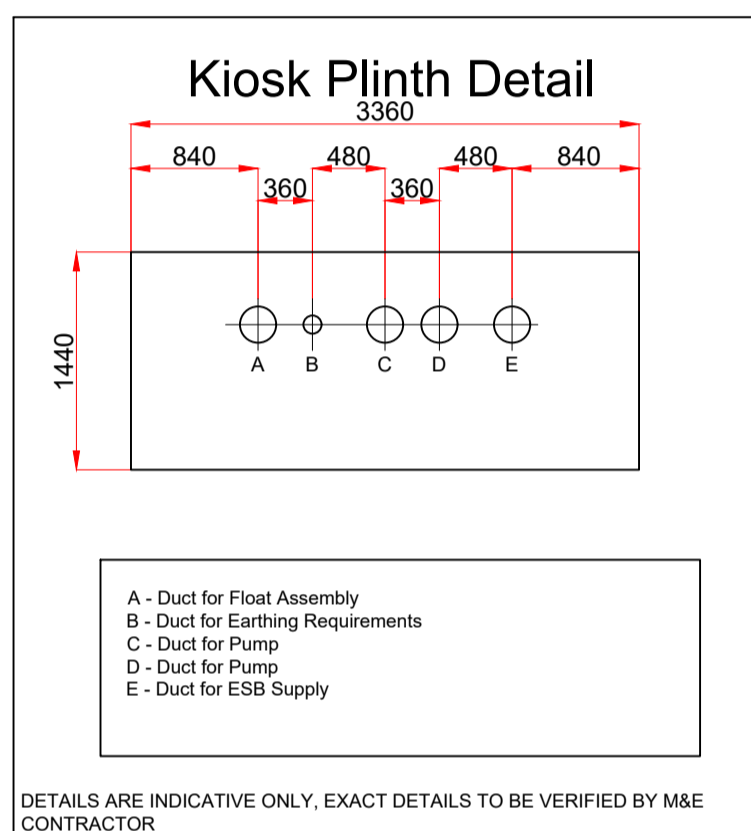
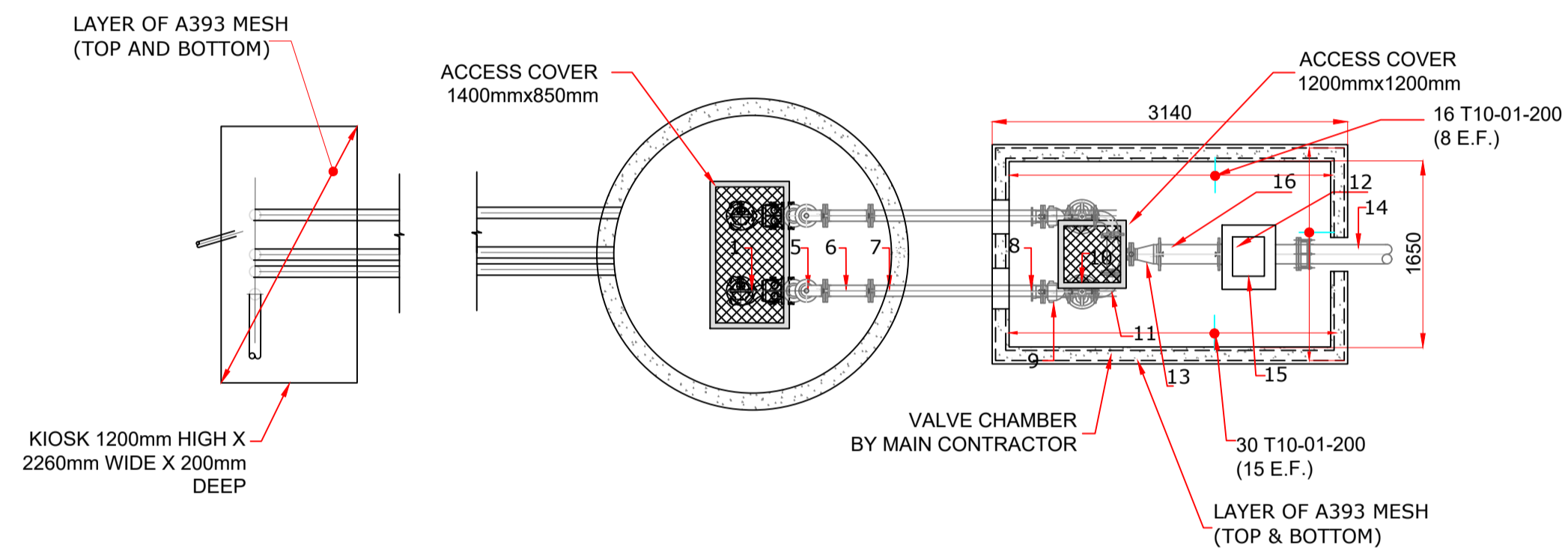


SECTION THROUGH GROUNDWATER PUMPING STATION
SCALE 1:125



Material List - Internal Pipe Work

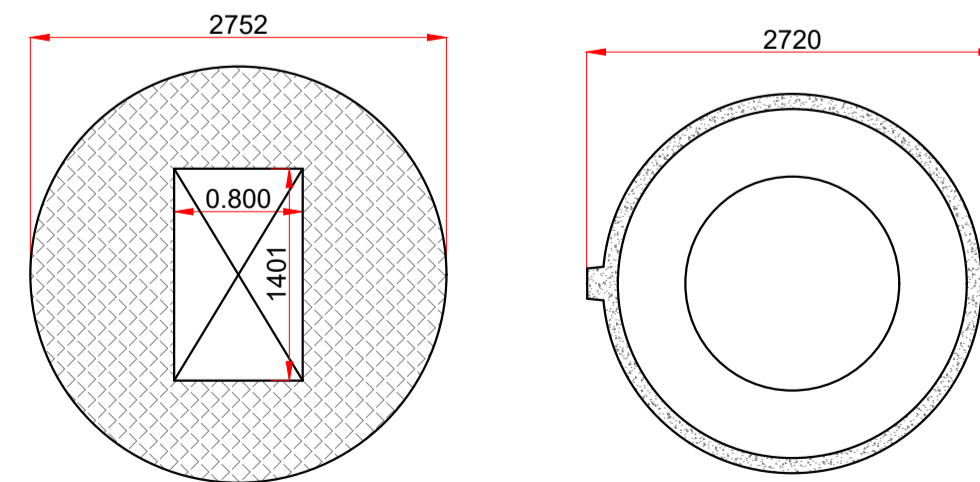
| Item | Description |
|------|------------------------------------|
| 1 | Submersible Pump |
| 2 | Flanged 45° Bend |
| 3 | Flanged pipe one end x 6670mm Long |
| 4 | Flange Adapter |
| 5 | Flanged 90° S.R. Elbow |
| 6 | Flanged Pipe x 400mm Long |

DIMENSIONS TO BE VERIFIED BY M&E CONTRACTOR

Material List - External Pipe Work

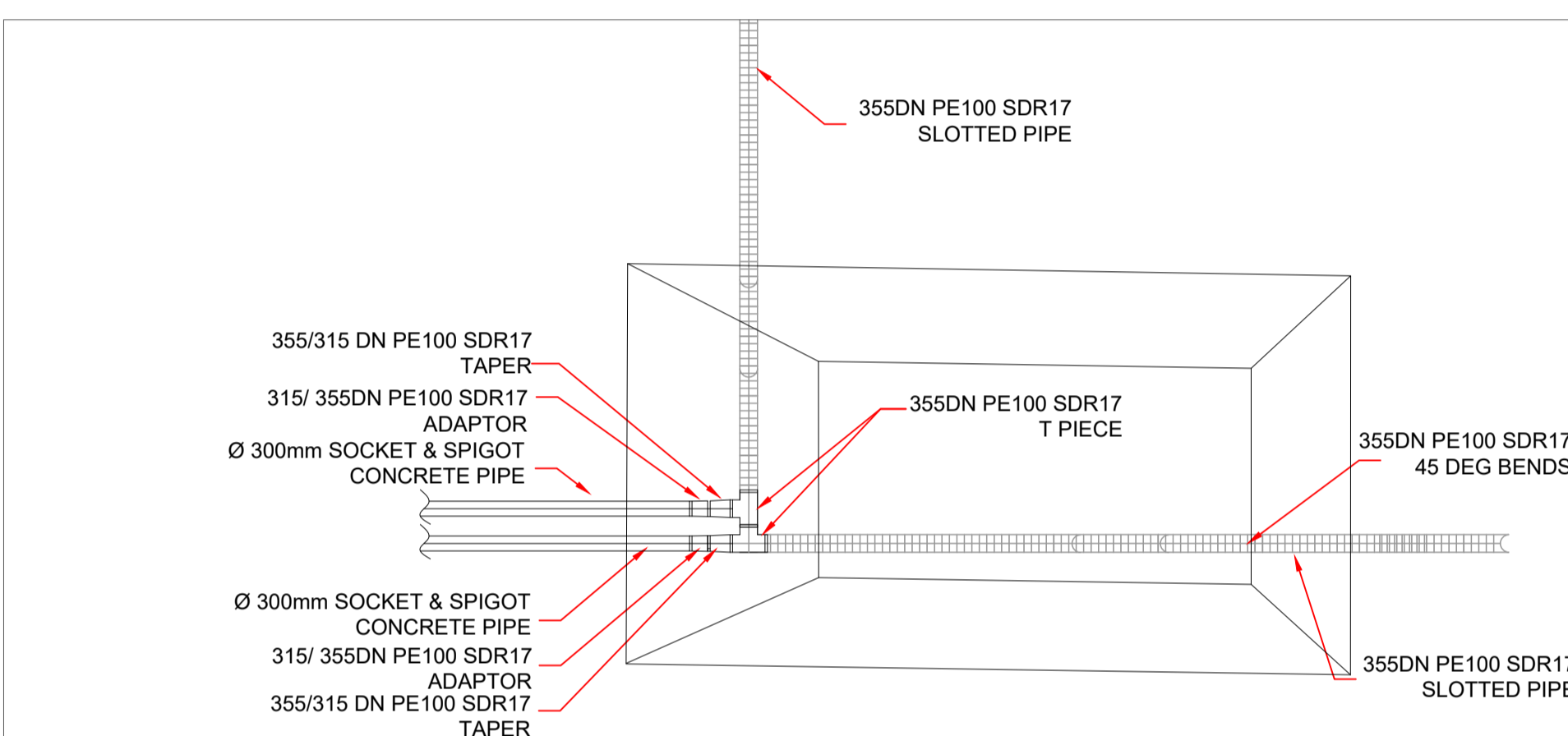
| Item | Description |
|------|------------------------------------|
| 7 | Flanged pipe one end x 1310mm long |
| 8 | Flange Adapter |
| 9 | Non Return Valve |
| 10 | Gate Valve |
| 11 | Flanged 90° S.R. Elbow |
| 12 | Equal Tee |
| 13 | Concentric Taper |
| 14 | Flanged Pipe one end x 1000mm Long |
| 15 | Flow Meter |
| 16 | Flanged Pipe x 500mm Long |

DIMENSIONS TO BE VERIFIED BY M&E CONTRACTOR



- NOTES:**
- MULTIPLE INSTANCES ON SITE FOR NORTH POINT REFER TO DRG. NO: 11290-2010

PUMP STATION DETAILS
SCALE 1:50



UNDERCELL DRAINAGE CONNECTION DETAIL
SCALE 1:125

- NOTES:**
- FIGURED DIMENSIONS ONLY TO BE TAKEN FROM THIS DRAWING.
 - ALL DRAWINGS TO BE CHECKED BY THE CONTRACTOR ON SITE
 - ENGINEER/EMPLOYERS REPRESENTATIVE, AS APPROPRIATE, TO BE INFORMED BY THE CONTRACTOR OF ANY DISCREPANCIES BEFORE ANY WORK COMMENCES
 - THE CONTRACTOR SHALL UNDERTAKE A THOROUGH CHECK FOR THE ACTUAL LOCATION OF ALL SERVICES/UTILITIES, ABOVE AND BELOW GROUND, BEFORE ANY WORK COMMENCES
 - ALL LEVELS SHOWN RELATE TO ORDNANCE SURVEY DATUM AT MALIN HEAD

| Rev | Date | Description | By | Chkd. |
|-----|----------|----------------|----|-------|
| A | 26.04.23 | PLANNING ISSUE | MN | RH |

Client:
Bord na Móna

Project:
DREHID WASTE MANAGEMENT FACILITY FURTHER DEVELOPMENT

Title:
GROUNDWATER PUMP STATION DETAILS

Scale @ A1: **As Shown**

Prepared by: **M. Nolan** Checked: **R. Hunt** Date: **November 22**

Project Director: **S. Tinnelly**

Drawing Status: **Planning**

TOBIN
CONSULTING ENGINEERS

Block 10-4, Blanchardstown Corporate Park, Dublin 15, Ireland.
tel: +353-(0)1-8030406
fax: +353-(0)1-8030409
e-mail: dublin@tobin.ie
www.tobin.ie

Drawing No.: **11290-2061** Revision: **A**